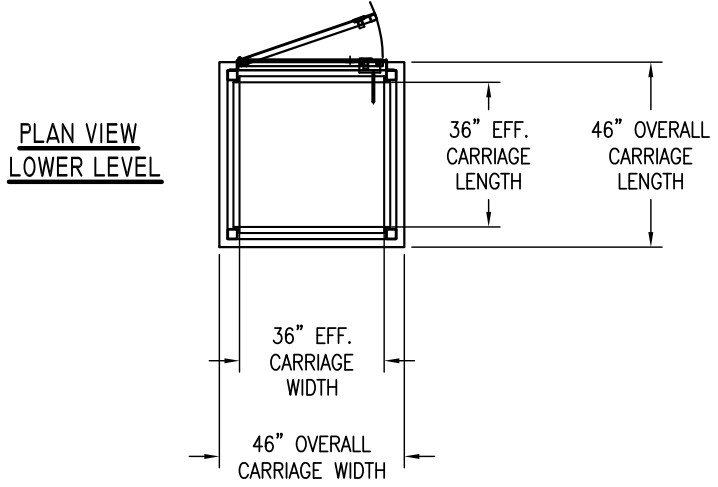
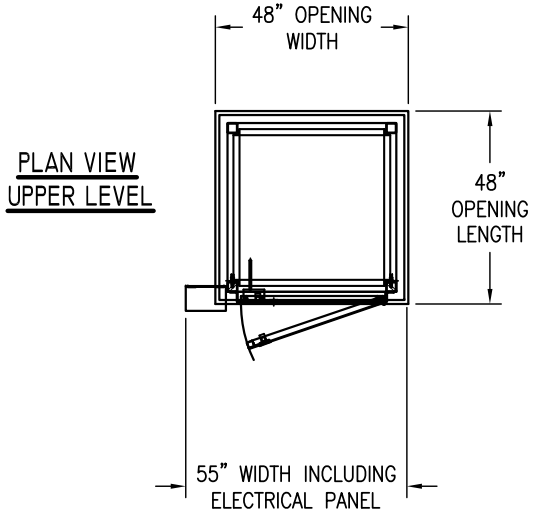
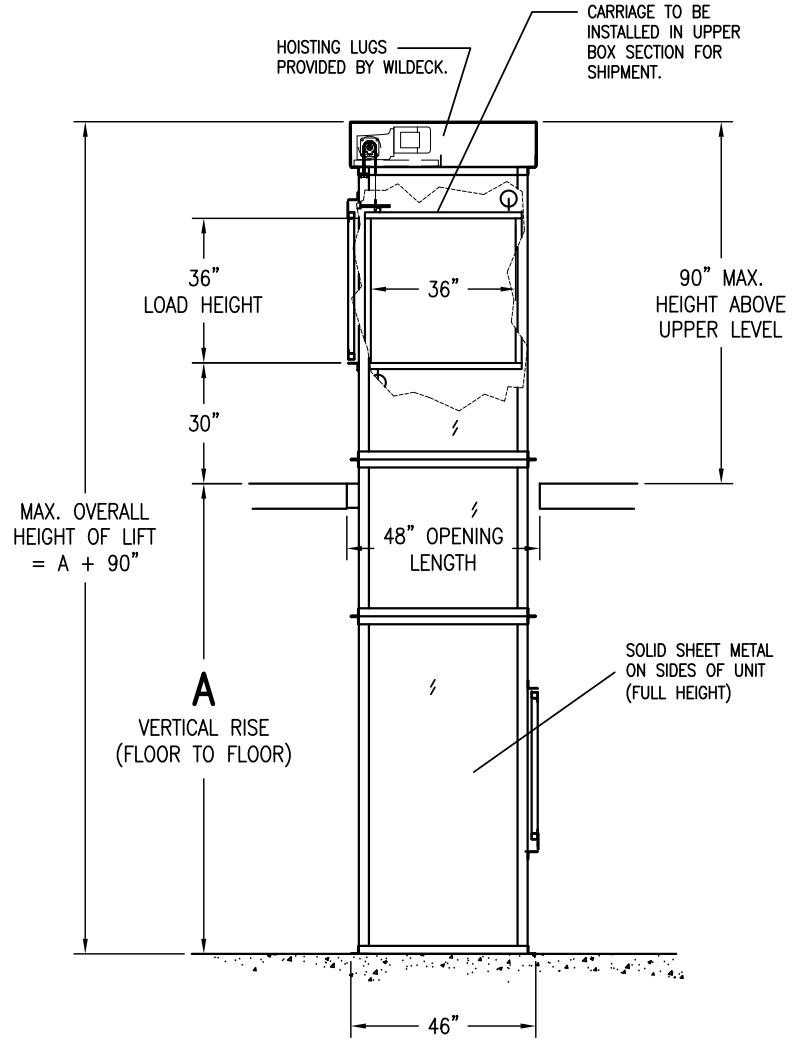
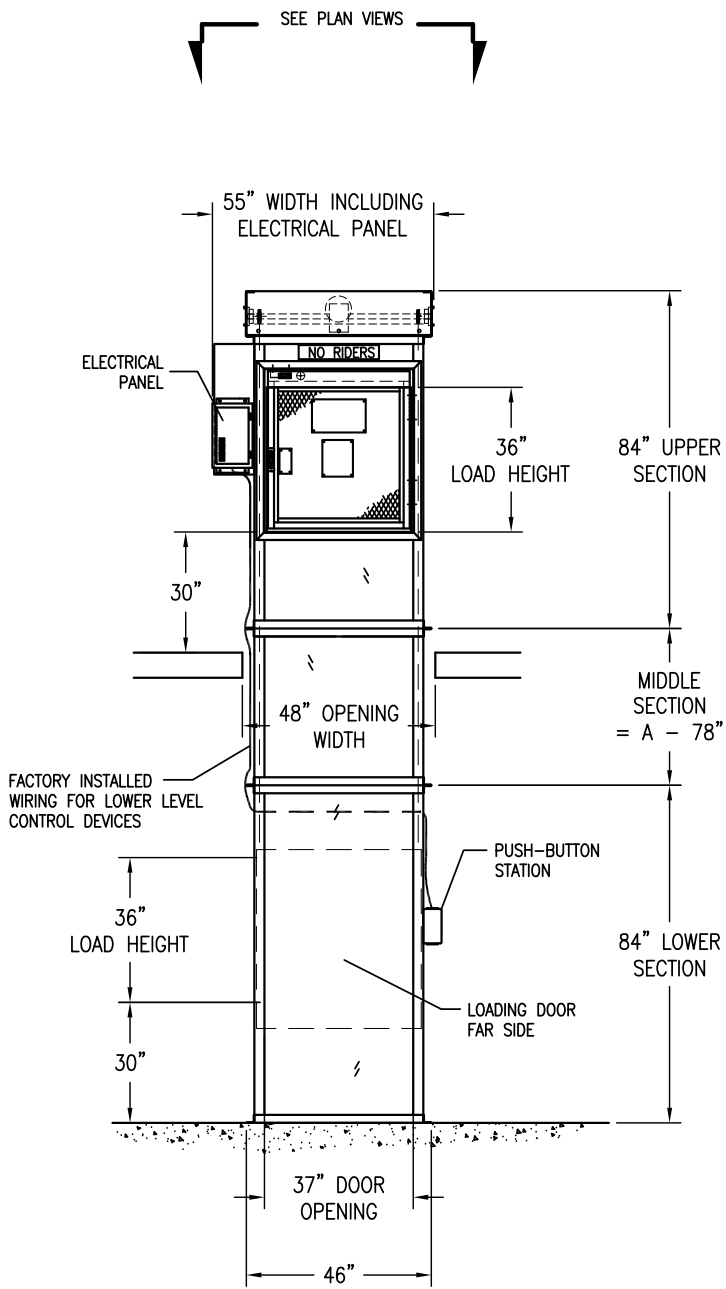


AVAILABLE LOAD PATTERNS: 'C', 'Z', & 90°  
( 'Z' LOAD PATTERN SHOWN)




**DIMENSIONS**

Proper installation and satisfactory operation of a standard WILDECK lift requires seven dimensions. The required dimensions are listed in the following chart.

A	Vertical Rise	_____
B	Carriage Length	36"
C	Carriage Width	36"
D	Carriage Thickness	N/A
E	Load Height	36"
F	Upper Level Opening (length)	48" MIN.
G	Upper Level Opening (width)	48" MIN.

CONCEPTUAL DRAWING  
per Quote # \_\_\_\_\_

NO.	DATE	DESCRIPTION	BY
WILDECK, INC. 405 COMMERCE ST. WAUKESHA, WI 53186 (800) 325-6939 (262) 549-4000 WILDECK.COM			
VERTICAL RECIPROCATING CONVEYOR MODULAR (BOX) LIFT			
MODEL NUMBER: MLB-X		DWG No.	REV
DIMENSIONAL INFORMATION		MODULAR (BOX) INFO	0

WILDECK, INC. RESERVES PROPRIETARY RIGHTS TO THIS DRAWING AND DATA SHOWN THEREON. SAID DRAWING AND/OR DATA ARE CONFIDENTIAL AND ARE NOT TO BE USED OR REPRODUCED FOR ANY PURPOSE WITHOUT THE WRITTEN CONSENT OF WILDECK, INC.

THIS DRAWING IS CONCEPTUAL ONLY  
Not to be Used for Installation or Construction.